

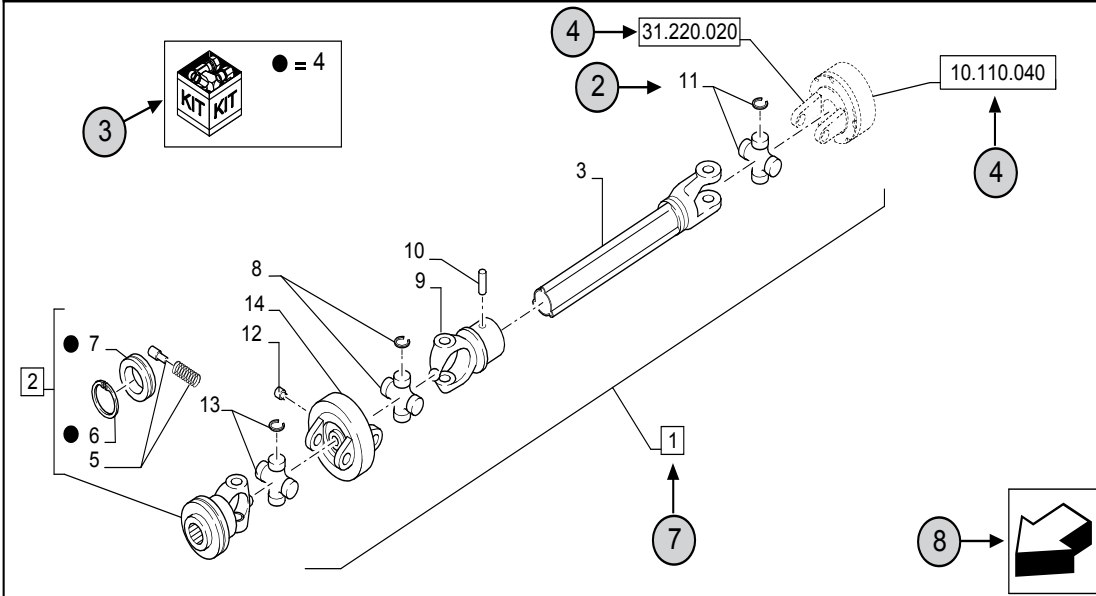
All rights reserved by **CNH Industrial**.

The information contained in this catalogue is intended to be of a general nature only. **CNH Industrial** may at any time and from time to time, for technical or other necessary reasons, modify any of the details or specifications of the product described in this catalogue.

To be sure of getting accurate, detailed and up-to-date information, an intending buyer should consult his nearest **CNH Industrial** dealer or distributor.

Single item numeration method used in this catalogue may not be used without written consent from **CNH Industrial**

VAR - 123782, 789101,987654 - PTO - D650




STANDARD ← (6)

VAR - 123782, 789101,987654 - PTO - D650

(11) (12) (13) (14)

REF	FN	PART NUMBER	YR/SN	QTY	DESCRIPTION
1	1	86529340	(20)	1	SHAFT PTO, Incl 2 - 11
2	(15)	84014007		1	YOKE, Incl 4 - 7 ← (7)
3	(16)	NSS		1	NOT SERVICED SEPARATELY, SHAFT, 350mm, Incl in 1
4		84004292		1	KIT, Seal Kit, Incl 6, 7 (17)
4		{84058743}		1	KIT, Seal Kit, Incl 6, 7
(2)	(18)	(19)		(21)	(22)
		1 = FOR ITALY ONLY ← (5)			

MODELS ← (1)

- 1 Model Number and Model Description
- 2 Reference - Figure call-out of the part number.
- 3 Parts supplied in repair kits per symbol reference.
- 4 31.220.020 Part illustrated on the **Page** or in the **Figure** indicated, or calls for **Variations** or **Details**. Indicates components shown in detail elsewhere in the catalogue under the figure number shown.
- 5 Footnote references
- 6 Figure notes
- 7 1 2 Includes item(s) ..... (See Description within partlist).
- 8 Orientation. (Arrow indicates front of the machine). 
- 9 Figure description.
- 10 General information of the figure.
- 11 Figure title number that aligns with the SRT. Standard Repair Time.
- 12 **Sequence** code within the assembly.
- 13 Page number within the sequence code.
- 14 **Date** of printing or updating of page (month-year).
- 15 **Note** - Relating to the Part Number. There is a key to symbols and abbreviations at the bottom of the text page.
- 16 Non-serviced parts.
- 17 Further description of the part to help confirm identification.
- 18 Not available as service part.
- 19 Part Number.
- 20 To be defined.
- 21 Total **Quantity** of the Part referred to in the page.  
The quantity can be replaced by the following indications:  
**AR** = quantity as requested.
- 22 Part **Description**.
- 23 Variant Codes

---

## TABLE OF CONTENTS

---

05.100.03		FILTER & CAPACITIES, 3930 (LATE)
05.100.03	01	FILTER & CAPACITIES, 4630 (EARLY)
05.100.03	02	FILTER & CAPACITIES, 4630 (LATE)
05.100.03	03	FILTER & CAPACITIES, 3230
05.100.03	04	FILTER & CAPACITIES, 3430
05.100.03	05	FILTER & CAPACITIES, 3230
05.100.03	06	FILTER & CAPACITIES, 3930 (EARLY)
05.100.03	07	FILTER & CAPACITIES, 4130
06A01		ENGINE, CYLINDER BLOCK, HEAD & RELATED PARTS
06B01		CRANKSHAFT, FLYWHEEL & RELATED PARTS
06C01		CAMSHAFT, ROCKER ARMS, VALVES & RELATED PARTS
06D01		PISTONS & CONNECTING RODS
06E01		OIL PUMP & OIL PAN
06F01		MANIFOLD & EXHAUST SYSTEM
06F02		TURBOCHARGER, MANIFOLD & RELATED PARTS - 4630, 3930 & 4630 EMISSIONIZED
06G01		TURBOCHARGER ASSEMBLY - 4630, 3930 & 4630 EMISSIONIZED
06H01		GASKET KITS
09A01		FUEL SYSTEM, NON-EMISSIONIZED (3/90-12/97)
09A02		FUEL SYSTEM, EMISSIONIZED (1/98)
09B01		FUEL TANK & RELATED PARTS
09C01		FUEL TANK & RELATED PARTS, AUXILIARY
09D01		FUEL INJECTION PUMP, DPA ROTARY, UPPER HALF
09D02		FUEL INJECTION PUMP, DPA ROTARY, LOWER HALF
09E01		FUEL SEDIMENTER & FILTER ASSEMBLY
09E02		FUEL FILTER ASSEMBLY, EMISSIONIZED (1-98/)
09F01		FUEL INJECTOR ASSEMBLY
09G01		TUBE & CLAMP ASSEMBLY, FUEL INJECTION
09H01		DIESEL COLD START
09J01		THROTTLE CONTROLS, W/CAB - 3430, 3930, 3930H, 4130, 4630
09J02		THROTTLE CONTROLS, L/CAB - EXCEPT 3930H
09K01		AIR CLEANER ASSEMBLY, DRY
09K02		AIR CLEANER ASSEMBLY, OIL BATH TYPE
09L01		FUEL PRIMER ASSEMBLY, DIESEL, D.I.A. - 4130, 4630
09L02		FUEL PRIMER ASSEMBLY
07A01		SYNCHRONIZED TRANSMISSION, W/8 X 8, 16 X 8, L/CAB - EXCEPT 3930H
07A02		SYNCHRONIZED TRANSMISSION, W/8 X 8, 16 X 8, W/CAB - 3430, 3930, 3930H, 4130, 4630

---

## TABLE OF CONTENTS

---

07B01	REAR COVER, W/SYNCHRONIZED TRANSMISSION, W/8 X 8, 16 X 8
07C01	FRONT COVER, W/SYNCHRONIZED TRANSMISSION, W/8 X 8
07C02	FRONT COVER, W/SYNCHRONIZED TRANSMISSION, W/16 X 8
07D01	FRONT HOUSING, W/SYNCHRONIZED TRANSMISSION, W/8 X 8
07E01	VALVE HOUSING & VALVE, W/SYNCHRONIZED TRANSMISSION, W/16 X 8
07F01	PIPELINE, W/SYNCHRONIZED TRANSMISSION, W/8 X 8
07F02	PIPELINE, W/SYNCHRONIZED TRANSMISSION, W/16 X 8
07G01	INPUT SHAFT & GEARS, W/SYNCHRONIZED TRANSMISSION, W/8 X 8
07H01	CLUTCH INPUT SHAFT, W/SYNCHRONIZED TRANSMISSION, W/16 X 8
07J01	PTO SHAFT & GEARS, W/SYNCHRONIZED TRANSMISSION, W/8 X 8
07J02	PTO SHAFT & GEARS, W/SYNCHRONIZED TRANSMISSION, W/16 X 8
07K01	LOW & BACK GEARS, W/SYNCHRONIZED TRANSMISSION, W/16 X 8
07L01	BACK IDLE SHAFT, W/SYNCHRONIZED TRANSMISSION, W/8 X 8
07L02	BACK IDLE SHAFT, W/SYNCHRONIZED TRANSMISSION, W/16 X 8
07M01	OUTPUT SHAFT & GEARS, SHIFTER 1 & 2, W/SYNCHRONIZED TRANSMISSION, W/8 X 8, 16 X 8
07N01	SHIFTER 1 & 2, W/SYNCHRONIZED TRANSMISSION, W/8 X 8, 16 X 8, L/CAB - EXCEPT 3930H
07N02	SHIFTER 1 & 2, W/SYNCHRONIZED TRANSMISSION, W/8 X 8, 16 X 8, W/CAB - 3430, 3930, 3930H, 4130, 4630
07P01	SHIFTER 3 & 4, HIGH & LOW, W/SYNCHRONIZED TRANSMISSION, W/8 X 8, L/CAB - EXCEPT 3930H
07P02	SHIFTER 3 & 4, HIGH & LOW, W/SYNCHRONIZED TRANSMISSION, W/8 X 8, 16 X 8, W/CAB - 3430,3930,3930H,4130,4630
07Q01	SHIFTER FRONT & REAR, W/SYNCHRONIZED TRANSMISSION, W/8 X 8, L/CAB - EXCEPT 3930H
07Q02	SHIFTER FRONT & REAR, W/SYNCHRONIZED TRANSMISSION, W/8 X 8, W/CAB - 3230,3430,3930,3930H,4130,4630
07Q03	SHIFTER FRONT & REAR, W/SYNCHRONIZED TRANSMISSION, W/16 X 8, L/CAB - EXCEPT 3930H
07Q04	SHIFTER FRONT & REAR, W/SYNCHRONIZED TRANSMISSION, W/16 X 8, W/CAB - 3430,3930,3930H,4130,4630
07R01	SHIFT LEVERS, W/SYNCHRONIZED TRANSMISSION, W/8 X 8, 16 X 8, L/CAB - EXCEPT 3930H
07R02	SHIFT LEVERS, W/SYNCHRONIZED TRANSMISSION, W/8 X 8, 16 X 8, W/CAB - 3430,3930,3930H,4130,4630
07T01	TRANSMISSION ASSEMBLY, CASE & SHIFT FORKS, W/NON-SYNCHRONIZED TRANSMISSION, 8 SPEED, W/8 X 2
07T02	GEARS & RELATED PARTS, W/NON-SYNCHRONIZED TRANSMISSION, 8-SPEED, W/8 X 2
07U01	PTO COVER, 2-SPEED SHIFTABLE, W/8 X 8, 16 X 8 (NH-E)
07U02	PTO COVER ASSEMBLY
07U03	IPTO COVER & RELATED PARTS, W/8 X 2
07U04	PTO SHIFT CONTROL
07U05	IPTO CLUTCH & RELATED PARTS
07U06	PTO CLUTCH VALVES
07U07	PTO, 2-SPEED SHIFTABLE, W/2WD
07U08	IPTO CONTROL LEVER & RELATED PARTS, W/CAB - 3430, 3930, 3930H, 4130, 4630

---

## TABLE OF CONTENTS

---

07U10		IPTO HANDLE ASSEMBLY & RELATED PARTS
07U11		PTO GUARD, HINGED
07U12		PTO GUARD, DETACHABLE
07V01		OIL COOLERS, HYDRAULIC & TRANSMISSION
07W01		CLUTCH ASSEMBLY, W/CAB, W/13" CLUTCH - 3430, 3930, 3930H, 4130, 4630
07W02		CLUTCH ASSEMBLY, L/CAB, W/13" CLUTCH - 3230, 3430, 3930, 4130, 4630
07X01		MAIN SHIFT LEVERS, W/SYNCHRONIZED TRANSMISSION, W/16 X 8, W/CAB - 3430, 3930, 4130, 4630
07X02		SHUTTLE SHIFT CONTROL, W/SYNCHRONIZED TRANSMISSION, L/CAB - EXCEPT 3930H
07X03		SHUTTLE SHIFT CONTROL, W/SYNCHRONIZED TRANSMISSION, W/CAB - 3430, 3930, 3930H, 4130, 4630
07X04		SHIFT CONTROL, W/CAB, W/8 X 8; W/SYNCHRONIZED TRANSMISSION, W/16 X 8, W/DUAL POWER
07X05		SHIFTER ASSEMBLY, REVERSE - 3430, 3930, 3930H, 4130, 4630, 4630-O
07Y01		REDUCTION GEARBOX ASSEMBLY, W/CREEPER, W/NON-SYNCHRONIZED TRANSMISSION, W/8 X 2, D.I.A.
08A01		RADIATOR & RELATED PARTS
08B01		WATER PUMP & RELATED PARTS
08C01		OIL COOLER & RELATED PARTS FOR HORIZONTAL EXHAUST- 4130; W/HEADLAND PISTONS - 4630
08C01	A	OIL COOLER & RELATED PARTS FOR VERTICAL EXHAUST - 4130; W/HEADLAND PISTONS - 4630
08D01		WATER FILTER, L/CAB, EXCEPT 3930H
08D02		WATER FILTER, W/CAB, 3430, 3930, 3930H, 4130 & 4630
04A01		REAR AXLE CENTER HOUSING
04A02		REAR AXLE CENTER HOUSING, L/4WD
04B01		REAR AXLE FINAL DRIVE DIFFERENTIAL
04B02		REAR AXLE & RELATED PARTS
04C01		REAR FINAL DRIVE, RING GEAR & PINION
04D01		DIFFERENTIAL LOCK CONTROLS
02A01		BRAKES, 3 & 4 PLATE
02B01		BRAKE CONTROLS & RELATED PARTS (NH-E) - 3430, 3930, 4130, 4630
02B02		BRAKE CONTROLS & RELATED PARTS, W/CAB - 3430, 3930, 3930H, 4130, 4630
02B03		BRAKE CONTROLS & RELATED PARTS, L/CAB - 3230, 3430, 3930, 4630, 4630-O
02B04		TRANSMISSION HANDBRAKE, W/4WD, L/CAB - 3430, 3930, 3930N, 3930NO, 4130, 4630
02C01		TRAILER BRAKES (NH-E) - 3430, 3930, 4130, 4630
11A01	L	ELECTRICAL SYSTEM, LH, L/CAB, EXCEPT 3930H
11A01	R	ELECTRICAL SYSTEM, RH, L/CAB, EXCEPT 3930H
11A02	L	ELECTRICAL SYSTEM, LH, W/CAB, 3430, 3930, 3930H, 4130 & 4630
11A02	R	ELECTRICAL SYSTEM, RH, W/CAB, 3430, 3930, 3930H, 4130 & 4630
11B01		HARNESS, TRANSMISSION & AUXILIARY FUEL TANK

---

## TABLE OF CONTENTS

---

11C01	REAR WIRING, W/CROWN FENDERS, NH-E, 3430, 3930, 4130 & 4630
11C02	REAR WIRING, W/CROWN FENDERS (NH-E) - 3930, 3930N, 3930NO, 4630N, 4630NO
11C03	REAR WIRING, W/WIDE FENDERS, NH-E, EXCEPT 3230
11C04	REAR WIRING, W/FLAT TOP FENDERS (NH-E) - 3930N, 4130N, 4630N
11D01	HEADLAMP ASSY., OUTSET FRONT MOUNTED, NHNA - 3230,3430,3930,3930N,3930NO(STANDARD);4630,4630-O(OPTIONAL)
11D02	INSET HEADLAMP ASSEMBLY
11D03	HEADLAMP ASSEMBLY, FENDER MOUNTED (NHNA) - 3930, 4630
11D04	HEADLAMP, SIDE MOUNTED, 3930, 4130 & 4630
11E01	LAMP ASSEMBLY, REAR STOP & TURN SIGNAL
11E02	LAMP ASSEMBLY, EMERGENCY WARNING, W/CROWN FENDERS (NHNA)
11E03	REAR LAMP ASSEMBLY, STOP & FLASHER, L/CAB, W/FLAT TOP FENDERS - 3930N, 4130N, 4630N
11E04	REAR LAMP ASSEMBLY, STOP & FLASHER, W/WIDE FENDERS, W/CAB - 3430, 3930, 3930H, 4130, 4630
11E05	REAR LAMP ASSEMBLY, SIDE & FLASHER, L/CAB, W/FLAT TOP FENDERS - 3930N, 4130N, 4630N
11E06	REAR LAMP ASSEMBLY, SIDE & FLASHER, W/CAB, W/WIDE FENDERS - 3430, 3930, 3930H, 4130, 4630
11E07	LAMP ASSEMBLY, SIDE & FLASHER, W/CAB (NH-E) - 3930, 3930H, 4130, 4630
11E08	LAMP ASSEMBLY, SIDE TURN SIGNAL, W/CROWN FENDERS - 3430,3930,3930N,3930NO,4130,4630,4630N,4630NO
11E09	LAMP ASSEMBLY & MOUNTING, LICENSE PLATE
11E10	LAMP ASSEMBLY, SIDE & TURN SIGNAL
11F01	BATTERY & BATTERY SUPPORT
11G01	STARTER MOTOR ASSEMBLY
11G02	STARTER MOTOR ASSEMBLY
11H01	ALTERNATOR ASSEMBLY, 55 & 70 AMP, L/CAB, W/8 X 2; W/CAB, W/8 X 2, 8 X 8, 16 X 8, NHNA
11H02	ALTERNATOR ASSEMBLY, 45 AMP, L/CAB, W/8 X 2, NHNA (6-92/) - 3430, 3930, 4630, 4630-O
11I01	TRAILER SOCKETS, 7 POLE, L/CAB (NH-E)
11I02	TRAILER & AUXILIARY SOCKETS, W/CAB - 3430, 3930, 3930H, 4130, 4630
11J01	PLOW LAMP, W/CAB (3-90/10-91), 3430, 3930, 3930H, 4130 & 4630
11J01	A REAR WORKLAMPS, W/CAB (11-91/), 3430, 3930, 3930H, 4130 & 4630
11J02	PLOW LAMP, W/CROWN FENDERS, W/FLAT-TOP FENDER, L/CAB, 3930N, 3930NO, 4130N & 4130NO
11J03	PLOW LAMP, W/FLAT-TOP FENDERS, NHNA, 3930 & 4630; W/WIDE FENDERS (NH-E), 3430, 3930, 4130 & 4630
11J04	WORKLAMP, W/CROWN FENDERS, NHNA, 3230, 3430, 3930, 4130, 4630 & 4630-O
11K01	REFLECTOR, LOW POSITION
11K02	LAMP ASSEMBLY, PLOUGH
03A01	FRONT AXLE, STEERING & RELATED PARTS (3-90/5-93)
03A02	FRONT AXLE, STEERING & RELATED PARTS, W/MANUAL (3-90/5-93) - 3430,3930,4130; W/MANUAL & POWER - 4630
03A03	FRONT AXLE, STEERING & RELATED PARTS (6-93/5-94)

---

## TABLE OF CONTENTS

---

03A04	FRONT AXLE, STEERING & RELATED PARTS (6-94/)
03A05	FRONT AXLE ASSEMBLY (6-94/) - EXCEPT 3230
03B01	STEERING GEAR ASSEMBLY, MANUAL
03B02	STEERING GEAR ASSEMBLY, POWER, SINGLE DROP ARM
03B03	STEERING COLUMN, L/CAB - EXCEPT 3930H
03B04	STEERING COLUMN, TILT, W/CAB - 3430, 3930, 3930H, 4130, 4630
03C01	POWER STEERING PUMP & RESERVOIR
03D01	POWER STEERING CYLINDER (3-90/5-94)
03D02	POWER STEERING CYLINDER, W/2WD (6-94/)
03E01	POWER STEERING MOTOR, E9NN3A244BA & E8NN3A244AA BREAKDOWN
03G01	AXLE SUPPORTS, HOUSINGS, STEERING CYLINDER & RELATED PARTS - 3230, 3430, 3930, 3930H, 4130, 4630
03G02	AXLE ASSEMBLY, W/FWD, 3930N, 3930NO, 4130N, 4130NO, 4630N & 4630NO
03G03	AXLE SHAFT & PLANETARY ASSEMBLIES - 3230, 3430, 3930, 4130, 4630
03G04	RING GEAR, PINION & DIFFERENTIAL ASSEMBLY
03G05	DRIVE SHAFT & SHIELD ASSEMBLY
03G06	FRONT TRANSFER CASE, W/4WD
03G08	TRANSFER CASE & CONTROLS, W/4 WHEEL BRAKING
03G09	WATERPROOF DRIVE SHAFT - 3930, 4130, 4630
05A01	AUXILIARY SERVICE CONTROL VALVE
05A02	AUXILIARY SERVICE CONTROL PIPE & COUPLER
05B01	LIFT CONTROL & DRAFT CONTROL, W/CAB - 3430, 3930, 3930H, 4130, 4630
05B02	LIFT CONTROL & DRAFT CONTROL, L/CAB (3-90/3-94) - EXCEPT 3930H
05B03	LIFT CONTROL & DRAFT CONTROL, L/CAB (4-94/) - 3430, 3930, 3930N, 3930NO, 4130, 4630
05C01	FLOW CONTROL VALVE, FILTER & RELATED PARTS
05C02	FLOW CONTROL VALVE COMPONENTS
05C03	HYDRAULIC MANIFOLD, L/FLOW CONTROL VALVE (5-93/)
05C03	01 KIT SEALS
05D01	LIFT ARMS & SHAFTS
05D02	LIFT COVER
05D03	LIFT CYLINDER & RELATED PARTS
05D04	LIFT LINKAGE
05E01	LIFT LEVELING BOX ASSEMBLY, L/IN CAB LEVELING
05E02	LIFT LEVELING BOX ASSEMBLY, W/IN CAB
05E03	LIFT LEVELING BOX ASSEMBLY
05E04	LIFT LEVELING BOX ASSEMBLY (NH-E)
05F01	TRANSPORT LOCK, HPL, SWEDEN & KOREA



---

## TABLE OF CONTENTS

---

05G01	LIFT ASSIST RAM (NH-E)
05H01	REMOTE CONTROL VALVE ASSEMBLY, SINGLE SPOOL
05H02	REMOTE CONTROL VALVE ASSEMBLY, DOUBLE SPOOL
05H03	REMOTE CONTROL VALVE COUPLER & HOSES
05J01	REMOTE CONTROL VALVE ASSEMBLY, DELUXE
05J02	HANDLES, RH, DELUXE REMOTE CONTROL VALVE
05J03	MANIFOLD & TUBES, DELUXE REMOTE CONTROL
05J04	COUPLER KITS, DELUXE REMOTE CONTROL
05J05	COUPLER ASSEMBLY, DELUXE REMOTE CONTROL
05J06	ATTACHING PARTS, 3RD & 4TH DELUXE REMOTE CONTROL VALVE, L/CAB
05J07	ATTACHING PARTS, 3RD & 4TH DELUXE REMOTE, W/CAB - 3230, 3430, 3930, 3930H, 4130, 4630
05K01	UNLOAD VALVE
05K02	UNLOAD VALVE & TUBING, W/(2) HYDRAULIC PUMPS, L/REMOTES
05L01	AUXILIARY PUMP KIT & RELATED PARTS, CENTER FOR LOADER APPLICATIONS
05M01	PUMP ASSEMBLY & RELATED PARTS, CENTER HOUSING MOUNTED
05M02	PUMP ASSEMBLY & RELATED PARTS, ENGINE MOUNTED
14A01	RADIATOR SHELL & RELATED PARTS
14B01	ENGINE COVERS
14C01	CROWN FENDERS, RUNNING BOARDS, TOOL BOX & RELATED PARTS
14C02	FLAT TOP FENDERS, RUNNING BOARDS & RELATED PARTS - 3930,3930N,3930NO,4130N,4130NO,4630,4630N,4630NO
14C03	FLAT TOP FENDERS, RUNNING BOARDS & RELATED PARTS (NH-E)
14C04	FRONT FENDERS
14C05	REAR FENDERS, ROPS MOUNTED (7-94/)
14D01	STEERING GEAR COVER
14E01	TOOL BOX & RELATED PARTS (3-90/1-96)
14E02	TOOL BOX & RELATED PARTS (2-96/)
14F01	REFLECTORS (NH-E)
01A01	FRONT WHEEL & HUBS
01A02	FRONT WHEEL, (2) PIECE - 3430 LCG, 4630-O, 3930
01A03	FRONT WHEEL ASSEMBLY, W/FWD
01A03	A FRONT WHEEL ASSEMBLY, WHEEL 2000 DESIGN, W/FWD
01A04	STANDARD REAR WHEELS, ROUND DISC
01A05	STANDARD REAR WHEELS, SQUARE DISC
01A07	POWER ADJUSTABLE WHEEL, 28"
01A08	POWER ADJUSTABLE WHEEL, 30" & 38"
01B01	REAR WEIGHTS, MANUAL ADJUSTABLE WHEEL, W/SQUARE DISC, 24", 28", 30", 34", 36", 38"

---

## TABLE OF CONTENTS

---

01B02	WEIGHTS, POWER ADJUSTABLE WHEEL (NHNA), 30" & 34"
01B03	WEIGHTS, POWER ADJUSTABLE WHEEL, 38"
01B04	WEIGHTS, MANUAL ADJUSTABLE WHEEL, 24" - 3930, 4630, 4630-O
01B05	REAR WHEEL WEIGHT KIT, PRESSED STEEL DISC
01B06	WEIGHTS, FRONT END
12A01	INSTRUMENT CLUSTER & RELATED PARTS
12B01	HOURMETER ASSEMBLY, ELECTRIC, D.I.A. (NHNA)
12B02	CIGAR LIGHTER ASSEMBLY, D.I.A. (NHNA)
12B03	OIL PRESSURE GAUGE, D.I.A. (NHNA)
12B04	VOLTMETER ASSEMBLY, L/CAB, D.I.A. (NHNA) - 3430, 3930, 3930H, 4130, 4630
12C01	SPEEDOMETER, NH-E
16A01	DECALS, MODEL IDENTIFICATION
16B01	INSTRUCTION, AUXILIARY SERVICE CONTROL, HYDRAULIC POWER LIFT, REMOTE CONTROL
16B02	INSTRUCTION, OPERATION & SAFETY (NH-E) - EXCEPT 3230
16B03	INSTRUCTION, OPERATION & SAFETY
16B04	INSTRUCTION, OPERATION & SAFETY
16B05	INSTRUCTION, OPERATION & SAFETY
16C01	WARNING, OPERATION & SAFETY
16D01	SHIFT PATTERN & SPEED INDICATOR
15A01	CAB ASSEMBLY, COMPLETE - 3430, 3930, 3930H, 4130, 4630
15B01	ROOF ASSEMBLY, OUTER - 3430, 3930, 3930H, 4130, 4630
15B02	ROOF ASSEMBLY, INNER - 3430, 3930, 3930H, 4130, 4630
15C01	DOOR ASSEMBLY - 3430, 3930, 3930H, 4130, 4630
15C02	WINDOWS & RELATED PARTS - 3430, 3930, 3930H, 4130, 4630
15D01	FENDERS, INSTRUMENT PANEL & RELATED PARTS - 3430, 3930, 3930H, 4130, 4630
15D02	FLOOR MATS & RELATED PARTS - 3430, 3930, 3930H, 4130, 4630
15D03	INSULATION - 3430, 3930, 3930H, 4130, 4630
15E01	CAB MOUNTING PARTS, 3430, 3930, 3930H, 4130 & 4630
15F01	HEATER ASSEMBLY - 3430, 3930, 3930H, 4130, 4630
15F02	MIRRORS - REAR VIEW - 3430, 3930, 3930H, 4130, 4630
15F03	WINDSHIELD WIPER & WASHER - 3430, 3930, 3930H, 4130, 4630
15G01	ROLLBAR FRAME ASSEMBLY (NH-E)
15G02	ROLLOVER PROTECTION, FOLDABLE (NH-E)
15G03	ROLLOVER PROTECTION, FOLDABLE (NH-E)
15G04	ROPS, TELESCOPING (NHNA)
15G05	ROPS (NHNA) - 3930N, 3930NO, 4130N, 4130NO, 4630N, 4630NO

---

## TABLE OF CONTENTS

---

15G06	ROPS (NHNA) - 3230, 3430, 3930, 3930H, 4130, 4630, 4630-O
15G07	ROPS, FOLDABLE (NHNA) - 3230, 3430, 3930, 3930H, 4130, 4630, 4630-O
15H01	WINDOWS, W/LOW PROFILE CAB - 3430, 3930, 3930H, 4130, 4630
15H02	DOOR, W/LOW PROFILE CAB - 3430, 3930, 3930H, 4130, 4630
15H03	INTERIOR, W/LOW PROFILE CAB - 3430, 3930, 3930H, 4130
15H04	CAB ASSEMBLY, LOW PROFILE - 3430, 3930, 3930H, 4130, 4630
15J01	ROOF, W/LOW PROFILE CAB - 3430, 3930, 3930H, 4130, 4630
15K01	HEATER & RELATED PARTS, W/LOW PROFILE CAB, 3430, 3930, 4130 & 4630
13A01	SEAT ASSEMBLY, AIR SUSPENSION, BOSTROM, W/CAB - 3430, 3930, 3930H, 4130, 4630
13B01	SEAT ASSEMBLY, ECONOMY, BOSTROM
13C01	SEAT ASSEMBLY, GRAMMER, L/CAB - EXCEPT 3930H
13D01	SEAT ASSEMBLY, GRAMMER, L/CAB - 3930N, 3930NO, 4130N, 4130NO, 4630N, 4630NO
17A01	SWINGING DRAWBAR ASSEMBLY, W/CENTER TOW PIN (NH-E)
17A02	SWINGING DRAWBAR ASSEMBLY
17B01	AUTOMATIC PICK-UP HITCH (NH-E)
17C01	LUBRICATION EQUIPMENT
17D01	PAINT (NHNA)
17E01	RADIO & RELATED PARTS
17F01	SAFETY EQUIPMENT
17G01	EXTERNAL LIFT CHECK CHAINS
17H01	STABILIZER ASSEMBLY (3-90/8-93)
17H02	STABILIZER ASSEMBLY (9-93/)
17J01	TOOL KIT
17K01	FRONT TOW HOOK, L/FRONT WEIGHTS (NH-E)
17K02	REAR TOW HOOK (NH-E)
17L01	ENGINE COOLANT HEATER KIT



---

## SECTION INDEX

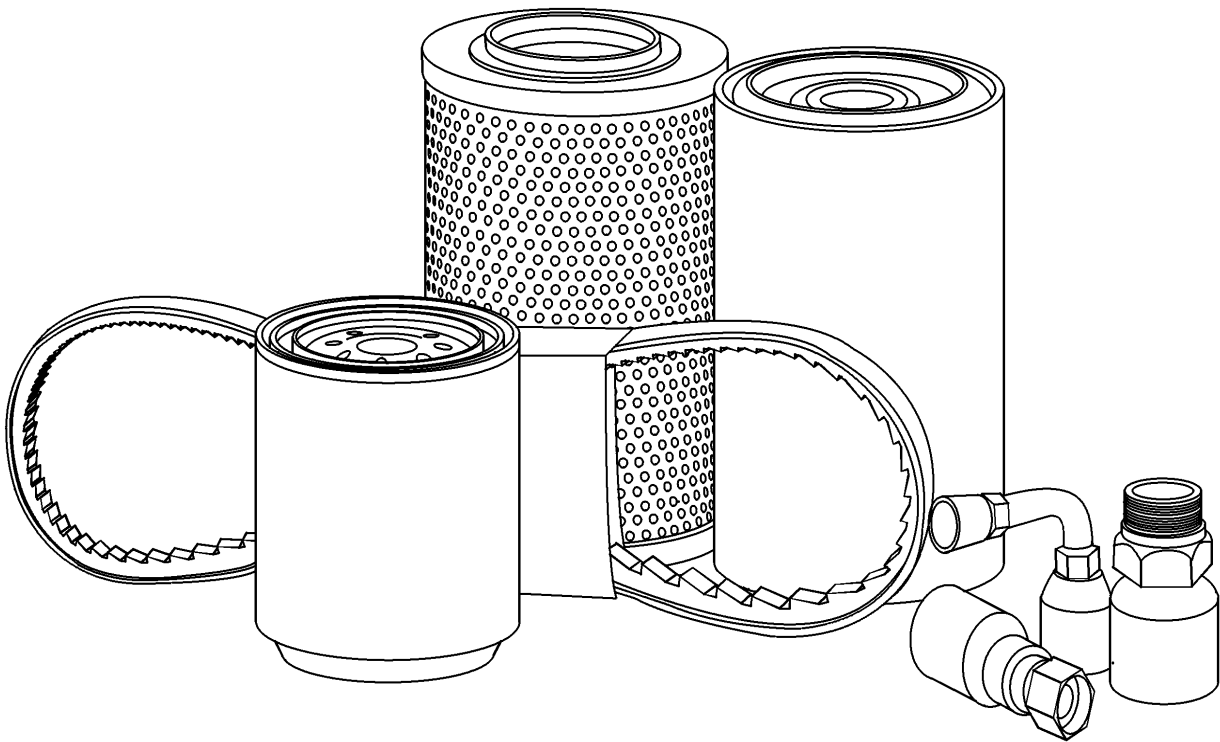
### GENERAL

---

05.100.03		FILTER & CAPACITIES, 3930 (LATE)
05.100.03	01	FILTER & CAPACITIES, 4630 (EARLY)
05.100.03	02	FILTER & CAPACITIES, 4630 (LATE)
05.100.03	03	FILTER & CAPACITIES, 3230
05.100.03	04	FILTER & CAPACITIES, 3430
05.100.03	05	FILTER & CAPACITIES, 3230
05.100.03	06	FILTER & CAPACITIES, 3930 (EARLY)
05.100.03	07	FILTER & CAPACITIES, 4130



FILTER & CAPACITIES, 3930 (LATE)



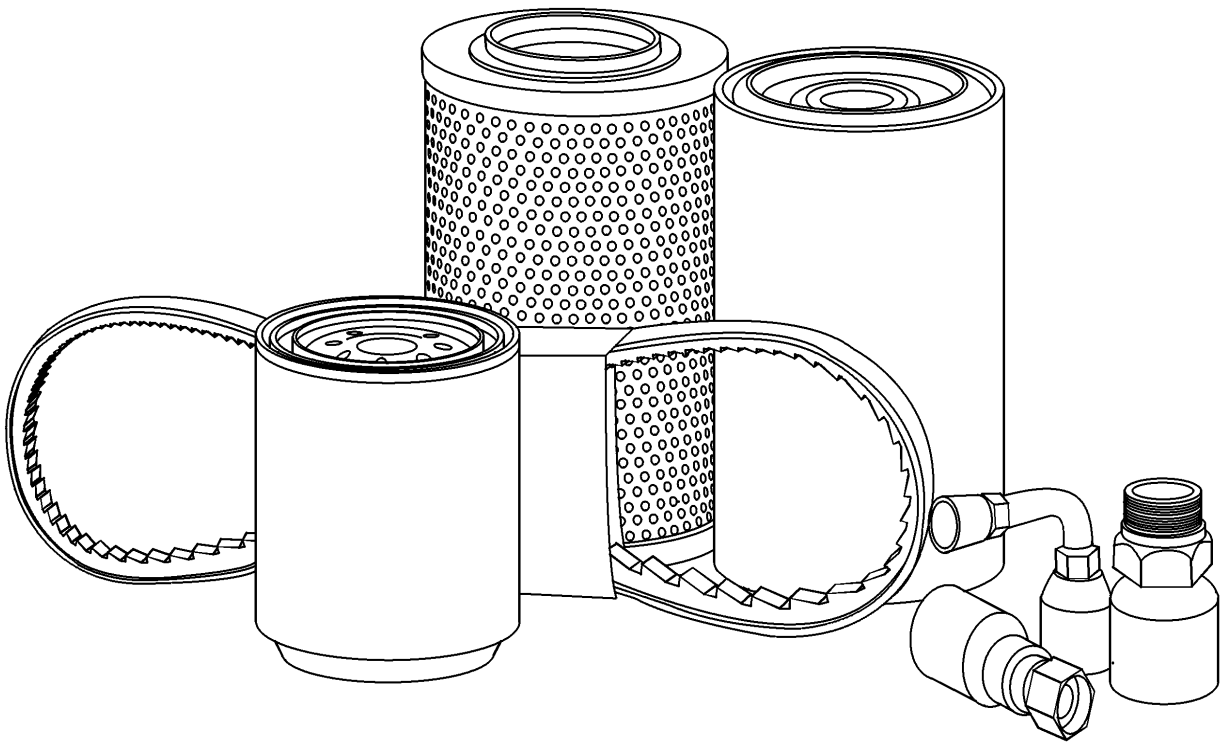
## FILTER &amp; CAPACITIES, 3930 (LATE)

REF FN	PART NUMBER	YR/SN	QTY DESCRIPTION
*	CNH XHD COOLANT		ANTIFREEZE Coolant, 2.8-Gal (10.6L)
1	86546614		1 ENGINE OIL FILTER
*	M-GOLD SAE15W40		OIL Engine, 15W40, W/ Filter, 7-QT (6.6L)
2	81866927		1 AIR FILTER 95.3mm ID x 169.9mm OD x 384.1mm L Primary
3	{DINN9R500A}		1 Secondary
4	D8NNB486CA		1 HYDRAULIC OIL FILTER Vertical Exhaust
5	84401812		1 HYDRAULIC OIL FILTER
6	D8NNB486CA		1 HYDRAULIC OIL FILTER Horizontal Exhaust
*	MULTI G 134		OIL Hydraulics, 134D, W/ 8X2, 12-Gal (45.4L)
*	MULTI G 134		OIL Hydraulics, W/ 8x8, 8.5-Gal (32.2L)
*	MULTI G 134		OIL Hydraulics, W/ 16x8, 8.5-Gal (32.2L)
*	MULTI G 134		OIL Hydraulics, Add For FWA, 1.5-QT (1.4L)
*	MULTI G 134		OIL Transmission, 134D, W/ 8X2, 3.2-Gal (12.1L)
*	MULTI G 134		OIL Transmission, W/ 8x8, 2.5-Gal (9.5L)
*	MULTI G 134		OIL Transmission, W/ 16x8, 2.2-Gal (8.3L)
*	MULTI G 134		OIL Transmission, Add For Creeper, 2.2-Gal (8.3L)
7	87801434		1 ELEMENT Water Separator
8	84536381		1 ELEMENT Pump & Reservoir
*	MULTI G 134		OIL Front Axle, Hubs and Differential Each-FWD Only, 134D, Case, 5.8-QT (5.5L)
*	MULTI G 134		OIL Front Axle, Hubs and Differential Each-FWD Only, Per Hub, 0.95-QT (0.9L)
*	MULTI G 134		OIL Power Steering, 134D, 2.3-QT (2.2L)

## 3930-3 CYL AG TRACTOR ALL PURPOSE



FILTER & CAPACITIES, 4630 (EARLY)

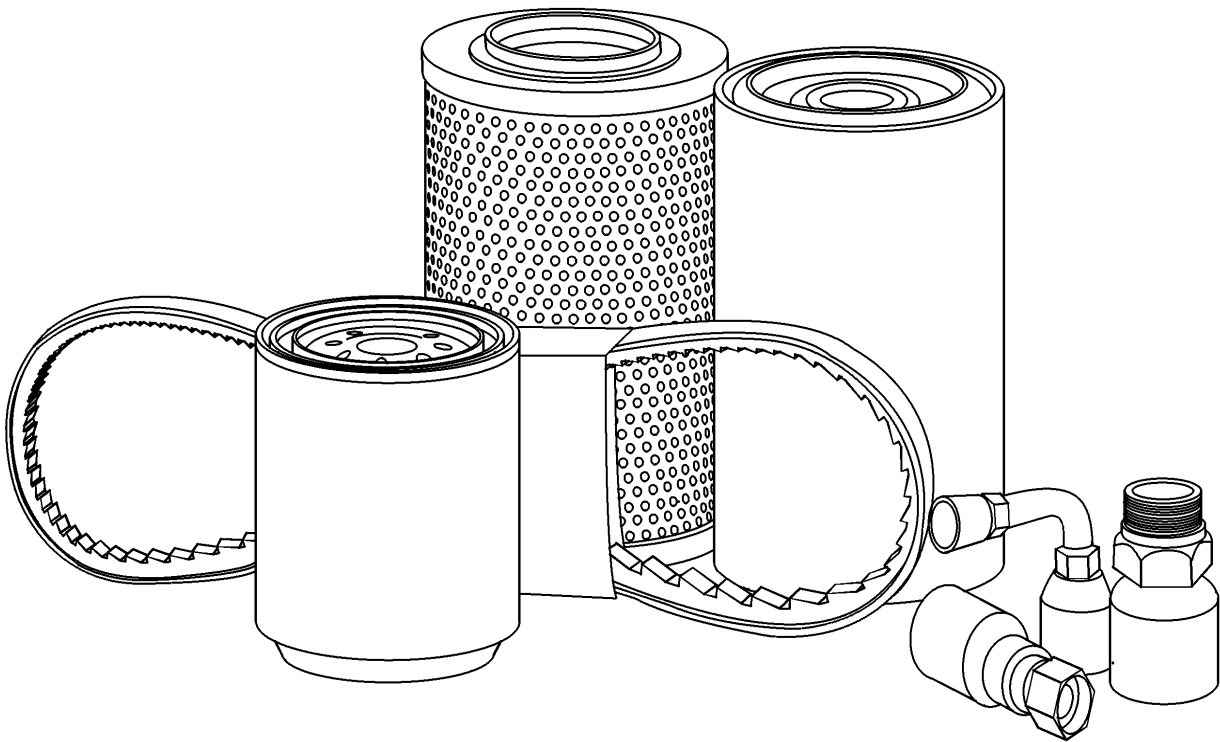


## FILTER &amp; CAPACITIES, 4630 (EARLY)

REF FN	PART NUMBER	YR/SN	QTY DESCRIPTION
1	E8NN8A424BB		1 FILTER Optional Water Spin On
*	CNH XHD COOLANT		ANTIFREEZE Coolant, 3.1-Gal (11.4L)
2	86546614		1 ENGINE OIL FILTER Full Flow Spin On
*	M-GOLD SAE15W40		OIL Engine, 15W40, 1.74-Gal (6.6L)
3	E9NN9B618AA		1 AIR FILTER
4	86525008		1 AIR FILTER
5	D8NNB486CA		1 HYDRAULIC OIL FILTER Vertical Exhaust
6	84401812		1 HYDRAULIC OIL FILTER
7	D8NNB486CA		1 HYDRAULIC OIL FILTER Horizontal Exhaust
*	MULTI G 134		OIL Hydraulics, 134D, W/ 8X2, 12-Gal (45.4L)
*	MULTI G 134		OIL Hydraulics, W/ 8X8 , 8.5-Gal (32.5L)
*	MULTI G 134		OIL Hydraulics, W/ 16x8, 8.5-Gal (32.5L)
*	MULTI G 134		OIL Hydraulics, Add For FWD, 1.5-QT (1.4L)
*	MULTI G 134		OIL Transmission, 134D, W/ 8X2, 3.2-Gal (12.1L)
*	MULTI G 134		OIL Transmission, W/ 8x8, 2.5-Gal (9.5L)
*	MULTI G 134		OIL Transmission, W/ 16x8, 2.2-Gal (8.3L)
*	MULTI G 134		OIL Transmission, Add For Creeper, 3.3-QT (3.1L)
8	83937061		1 FUEL FILTER Short
9	86570171		1 FUEL FILTER Long
10	84536381		1 ELEMENT Pump & Reservoir
*	MULTI G 134		OIL Front Axle, Hubs and Differential Each-FWD Only, 134D, Case, 5.8-QT (5.5L)
*	MULTI G 134		OIL Front Axle, Hubs and Differential Each-FWD Only, Per Hub, 0.95-QT (0.9L)
*	MULTI G 134		OIL Power Steering, 134D, 2.3-QT (2.2L)

## 4630-3 CYL AG TRACTOR ALL PURPOSE

FILTER & CAPACITIES, 4630 (LATE)



## FILTER &amp; CAPACITIES, 4630 (LATE)

REF FN	PART NUMBER	YR/SN	QTY DESCRIPTION
1	E8NN8A424BB		1 FILTER Optional Water Spin On
*	CNH XHD COOLANT		ANTIFREEZE Coolant, 3.1-Gal (11.4L)
2	86546614		1 ENGINE OIL FILTER Full Flow Spin On
*	M-GOLD SAE15W40		OIL Engine, 15W40, 1.74-Gal (6.6L)
3	81866927		1 AIR FILTER 95.3mm ID x 169.9mm OD x 384.1mm L Primary
4	{DINN9R500A}		1 Secondary
5	D8NNB486CA		1 HYDRAULIC OIL FILTER
6	84401812		1 HYDRAULIC OIL FILTER
*	MULTI G 134		OIL Hydraulics, 134D, W/ 8X2, 12-Gal (45.4L)
*	MULTI G 134		OIL Hydraulics, W/ 8X8 , 8.5-Gal (32.5L)
*	MULTI G 134		OIL Hydraulics, W/ 16x8, 8.5-Gal (32.5L)
*	MULTI G 134		OIL Hydraulics, Add For FWD, 1.5-QT (1.4L)
*	MULTI G 134		OIL Transmission, 134D, W/ 8X2, 3.2-Gal (12.1L)
*	MULTI G 134		OIL Transmission, W/ 8x8, 2.5-Gal (9.5L)
*	MULTI G 134		OIL Transmission, W/ 16x8, 2.2-Gal (8.3L)
*	MULTI G 134		OIL Transmission, Add For Creeper, 3.3-QT (3.1L)
7	83937061		1 FUEL FILTER Short
8	86570171		1 FUEL FILTER Long
9	87801434		1 ELEMENT Fuel
10	84536381		1 ELEMENT Pump & Reservoir
*	MULTI G 134		OIL Front Axle, Hubs and Differential Each-FWD Only, 134D, Case, 5.8-QT (5.5L)
*	MULTI G 134		OIL Front Axle, Hubs and Differential Each-FWD Only, Per Hub, 0.95-QT (0.9L)
*	MULTI G 134		OIL Power Steering, 134D, 2.3-QT (2.2L)

## 4630-3 CYL AG TRACTOR ALL PURPOSE

**Thanks very much for your reading,  
Want to get more information,  
Please click here, Then get the complete  
manual**

**JustClickHere** 

**NOTE:**

**If there is no response to click on the link above,  
please download the PDF document first, and then  
click on it.**

**Have any questions please write to me:  
[admin@servicemanualperfect.com](mailto:admin@servicemanualperfect.com)**